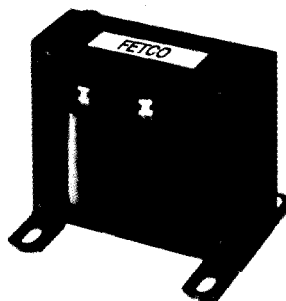


CONTROL TRANSFORMERS - BRACKET MOUNTED

Features:

- Designed for control application
- Many models available to choose from
- Available with 208, 240, 277, 347, 460, 480 and 600V input and 120V output
- Heavy duty screw type terminals
- Up to 500VA in a compact size to choose from
- Vacuum impregnated
- High isolation - 1,500 hipot



ELECTRICAL SPECIFICATIONS @ 25°C

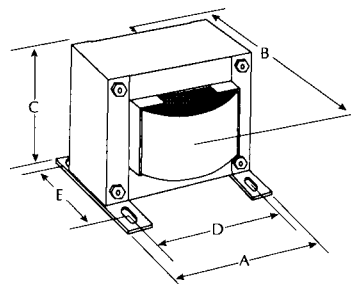
PRIMARY VOLTS	SEC. VOLTS	CATALOG NUMBER										
		25VA	50VA	75VA	100VA	150VA	200VA	250VA	350VA	500VA		
120	24	BMC1-24A	BMC1-24B	BMC1-24C	BMC1-24D	BMC1-24E	BMC1-24F	BMC1-24G	BMC1-120H	BMC1-120I		
	120	BMC1-120A	BMC1-120B	BMC1-120C	BMC1-120D	BMC1-120E	BMC1-120F	BMC1-120G				
208	24	BMC2-24A	BMC2-24B	BMC2-24C	BMC2-24D	BMC2-24E	BMC2-24F	BMC2-24G	BMC2-120H	BMC2-120I		
	120	BMC2-120A	BMC2-120B	BMC2-120C	BMC2-120D	BMC2-120E	BMC2-120F	BMC2-120G				
240	24	BMC3-24A	BMC3-24B	BMC3-24C	BMC3-24D	BMC3-24E	BMC3-24F	BMC3-24G	BMC3-120H	BMC3-120I		
	120	BMC3-120A	BMC3-120B	BMC3-120C	BMC3-120D	BMC3-120E	BMC3-120F	BMC3-120G				
277	24	BMC4-24A	BMC4-24B	BMC4-24C	BMC4-24D	BMC4-24E	BMC4-24F	BMC4-24G	BMC4-120H	BMC4-120I		
	120	BMC4-120A	BMC4-120B	BMC4-120C	BMC4-120D	BMC4-120E	BMC4-120F	BMC4-120G				
	120/240	BMC4-TA	BMC4-TB	BMC4-TC	BMC4-TD	BMC4-TE	BMC4-TF	BMC4-TG			BMC4-TH	BMC4-TI
347	24	BMC5-24A	BMC5-24B	BMC5-24C	BMC5-24D	BMC5-24E	BMC5-24F	BMC5-24G	BMC5-120H	BMC5-120I		
	120	BMC5-120A	BMC5-120B	BMC5-120C	BMC5-120D	BMC5-120E	BMC5-120F	BMC5-120G				
	240	BMC5-240A	BMC5-240B	BMC5-240C	BMC5-240D	BMC5-240E	BMC5-240F	BMC5-240G			BMC5-240H	BMC5-240I
	120/240	BMC5-TA	BMC5-TB	BMC5-TC	BMC5-TD	BMC5-TE	BMC5-TF	BMC5-TG			BMC5-TH	BMC5-TI
460	24	BMC6-24A	BMC6-24B	BMC6-24C	BMC6-24D	BMC6-24E	BMC6-24F	BMC6-24G	BMC6-120H	BMC6-120I		
	120	BMC6-120A	BMC6-120B	BMC6-120C	BMC6-120D	BMC6-120E	BMC6-120F	BMC6-120G				
	240	BMC6-240A	BMC6-240B	BMC6-240C	BMC6-240D	BMC6-240E	BMC6-240F	BMC6-240G			BMC6-240H	BMC6-240I
	120/240	BMC6-TA	BMC6-TB	BMC6-TC	BMC6-TD	BMC6-TE	BMC6-TF	BMC6-TG			BMC6-TH	BMC6-TI
480	24	BMC7-24A	BMC7-24B	BMC7-24C	BMC7-24D	BMC7-24E	BMC7-24F	BMC7-24G	BMC7-120H	BMC7-120I		
	120	BMC7-120A	BMC7-120B	BMC7-120C	BMC7-120D	BMC7-120E	BMC7-120F	BMC7-120G				
	240	BMC7-240A	BMC7-240B	BMC7-240C	BMC7-240D	BMC7-240E	BMC7-240F	BMC7-240G			BMC7-240H	BMC7-240I
	120/240	BMC7-TA	BMC7-TB	BMC7-TC	BMC7-TD	BMC7-TE	BMC7-TF	BMC7-TG			BMC7-TH	BMC7-TI
600	24	BMC8-24A	BMC8-24B	BMC8-24C	BMC8-24D	BMC8-24E	BMC8-24F	BMC8-24G	BMC8-120H	BMC8-120I		
	120	BMC8-120A	BMC8-120B	BMC8-120C	BMC8-120D	BMC8-120E	BMC8-120F	BMC8-120G				
	240	BMC8-240A	BMC8-240B	BMC8-240C	BMC8-240D	BMC8-240E	BMC8-240F	BMC8-240G			BMC8-240H	BMC8-240I
	120/240	BMC8-TA	BMC8-TB	BMC8-TC	BMC8-TD	BMC8-TE	BMC8-TF	BMC8-TG			BMC8-TH	BMC8-TI
MULTI 208, 240 480 & 600	120	N/A	BMC9-120B	N/A	BMC9-120D	BMC9-120E	BMC9-120F	BMC9-120G	BMC9-120H	BMC9-120I		

SINGLE PRIMARY

VA	DIMENSIONS (INCHES)				
	A	B	C	D	E
50	3.38	3.25	2.82	2.82	2.00
100	3.38	4.25	2.82	2.82	3.00
150	3.75	4.50	3.13	3.13	3.00
200	4.13	4.50	3.44	3.44	3.00
250	4.50	4.75	3.75	3.75	3.13
350	4.50	5.25	3.75	3.75	3.63
500	4.50	6.00	3.75	3.75	4.63

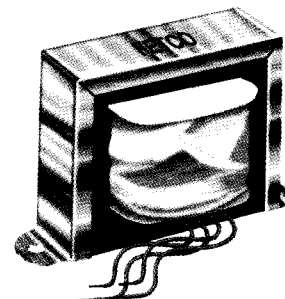
MULTI PRIMARY

VA	DIMENSIONS (INCHES)				
	A	B	C	D	E
25	3.00	2.75	2.50	2.50	1.75
50	3.00	3.00	2.50	2.50	2.00
75	3.00	3.25	2.50	2.50	2.25
100	3.00	4.00	2.50	2.50	3.00
150	3.75	4.00	3.13	3.13	2.75
200	3.75	4.25	3.13	3.13	3.25
250	4.50	4.50	3.75	3.75	3.00
350	4.50	5.00	3.75	3.75	3.50
500	4.50	5.75	3.75	3.75	4.38

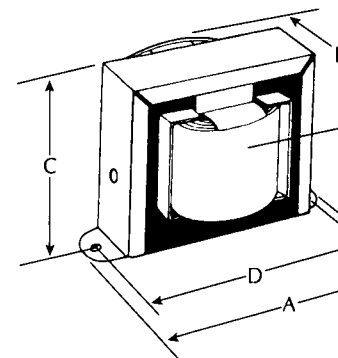


CONTROL TRANSFORMERS - CHANNEL MOUNTED
Features:

- Designed for control application
- Many models available to choose from
- Available with input voltage of 208, 240, 277, 347, 460, 480 and 600V @ 60Hz and 120V output
- 12" flexible leads
- Vacuum impregnated
- Three different compact sizes to choose from
- High isolation - 1,500 hipot


ELECTRICAL SPECIFICATIONS @ 25°C

PRIMARY VOLTS	SEC. VOLTS	CATALOG NUMBER		
		25VA	50VA	75VA
120	24	CMC1-24A	CMC1-24B	CMC1-24C
	120	CMC1-120A	CMC1-120B	CMC1-120C
208	24	CMC2-24A	CMC2-24B	CMC2-24C
	120	CMC2-120A	CMC2-120B	CMC2-120C
240	24	CMC3-24A	CMC3-24B	CMC3-24C
	120	CMC3-120A	CMC3-120B	CMC3-120C
277	24	CMC4-24A	CMC4-24B	CMC4-24C
	120	CMC4-120A	CMC4-120B	CMC4-120C
347	24	CMC5-24A	CMC5-24B	CMC5-24C
	120	CMC5-120A	CMC5-120B	CMC5-120C
	240	CMC5-240A	CMC5-240B	CMC5-240C
460	24	CMC6-24A	CMC6-24B	CMC6-24C
	120	CMC6-120A	CMC6-120B	CMC6-120C
	240	CMC6-240A	CMC6-240B	CMC6-240C
480	24	CMC7-24A	CMC7-24B	CMC7-24C
	120	CMC7-120A	CMC7-120B	CMC7-120C
	240	CMC7-240A	CMC7-240B	CMC7-240C
600	24	CMC8-24A	CMC8-24B	CMC8-24C
	120	CMC8-120A	CMC8-120B	CMC8-120C
	240	CMC8-240A	CMC8-240B	CMC8-240C



VA	DIMENSIONS (INCH)			
	A	B	C	D
25	3.69	2.13	2.25	3.00
50	4.00	2.50	2.56	3.00
75	4.00	2.75	2.58	3.00